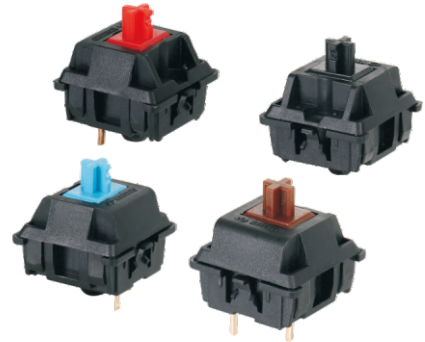


## GT02系列按键开关-4mm行程

### Mechanical Keyboard Switch-4mm Travel

#### ■特点 Features

- 台面配置型, 从PCB端算起0.60英寸 (15.2毫米) (无键帽)  
Desktop profile, 0.60 inch(15.2mm) from PCB(no keycap)
- 触感的选择: 平滑型, 触感型, 咔嗒转换型  
Choice of feel: linear, soft tactile, clicktactile
- PCB针脚或框架型 PCB or frame mount
- 高达8000万次的操作寿命  
Long life to 80 million operation cycles
- 有LED, 二极管, 或者跳动型可供选择  
LED, diode or jumper option
- 最大12V AC/DC 12V AC/DC maximum
- 额定电流: 10mA Current Rating:10mA
- 绝缘电阻<100MΩ(在100VDC下)  
Insulation Resistance:<100MΩunder 100VDC



#### ■用途 Applications

主要应用于电脑键盘点钞机 工业设备和机器接口设备

Mainly applied on computer keyboards, cash registers, industrial equipment and Man-Machine interfaces

#### ■规格参数 Specification and Parameters

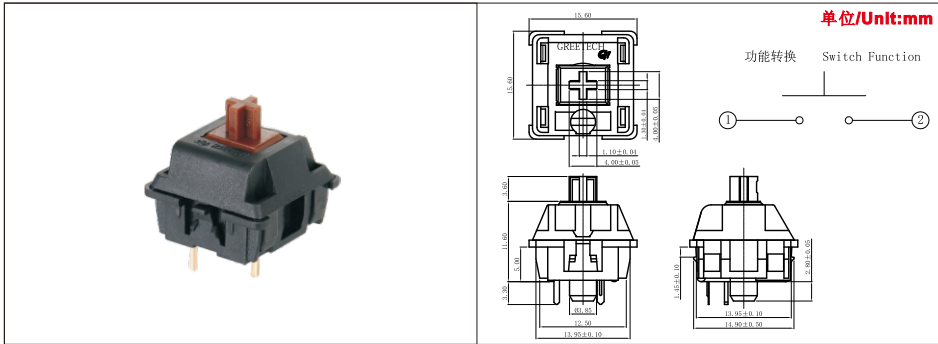
电气特性 Electrical Characteristics	额定负荷 Rating	12 VDC/AC max. 10mA AC/DC max
	接触电阻 Contact Resistance	200mΩMax (25mΩtypical) (初始值Initial Value)
	绝缘电阻 Insulation Resistance	100MΩMin
	耐电压 Voltage Resistance	AC 500V (50-60Hz) 1Minute
	电气寿命 Eletrical life	Over80, 000, 000 cycles(Load)
特性参数 Parameters	弹跳时间 Bounce Time	操作速度为400mm/s 5 msec(operation speed at 400mm/sec)
	操作力 Operating Force	见具体规格表See Detail Spec
	行程 Pre-travel	2.0±0.6mm
	全行程 Total Travel	4.0±0.4mm
	机械寿命 Mechanical Life	8, 000万次以上 (无负载下) Over 80, 000, 000 cycles (No Load)
	使用温度 Operating Temperature Range	-40° C~+80° C
使用湿度 Ambient Humidity	≤85%RH	

## GT02系列按键开关订货指引

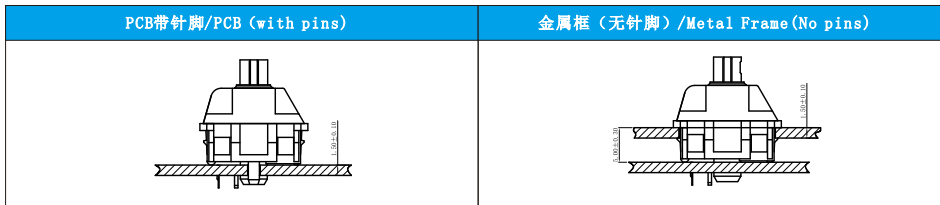
### GT02Series Keyswitch Ordering Instruction

GT02	A	I	A	N	W	I
开关类别 Switch Type	触点材质 Contact material	操作力代码 Code of operating force	操作特征和按键类别 Operating Characteristics, and Key Style	LED 二极管 LED Diode	安装插脚 PCB mounting pins	特殊代码 Special Designator
GT02 系列按键开关 GT02 Series Keyswitch	A 金合金 Au Alloy	1 0F=60±20gf(60#或 601# 弹簧)	A 瞬时型,单极,标准型,线性动作,黑色按键 Momentary, single pole, standard keyswitch, linear, black key stem	N 单色LED灯 Single color	W 有定位柱 With pins	1 黑色底座透明盖 Black case and clear cover
	B 银合金 Ag Alloy	2 0F=80±25gf(80#弹簧)	B 瞬时型,单极,标准型,轻柔触感动作,棕色按键 Momentary, single pole, standard keyswitch, soft tactile brown key stem	F RGB全彩插脚式 Full color RGB	N 无定位柱(有金属框) Nopins (with metal frame)	2 白色底座透明盖 White case and clear cover
		3 0F=120±25gf(120#弹簧)	D 瞬时型,单极,滴答声触感动作,蓝色按键 Momentary, single pole, Click tactile feel, blue key stem	T 贴片式LED SMT LED		
		...	E 轻柔瞬时型,单极,标准型,线性动作,红色按键 Momentary, single pole, standard keyswitch, linear, black key stem	...	其他 Others	

## 尺寸 Dimensions



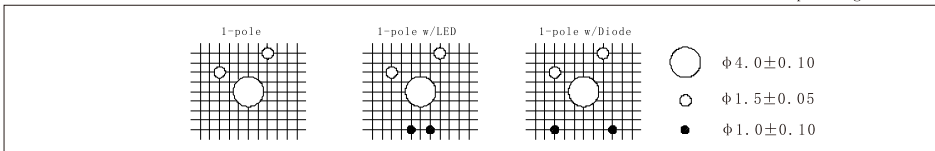
## 安装选择 Mounting Options



## 电路板孔设计 Circuit Board Layouts

◆ 无固定针脚的按键开关 Keyswitch without fixation pins

线间距1.27mm  
Gride line spacing=1.27mm



◆ 有固定针脚的按键开关 Keyswitch with fixation pins

