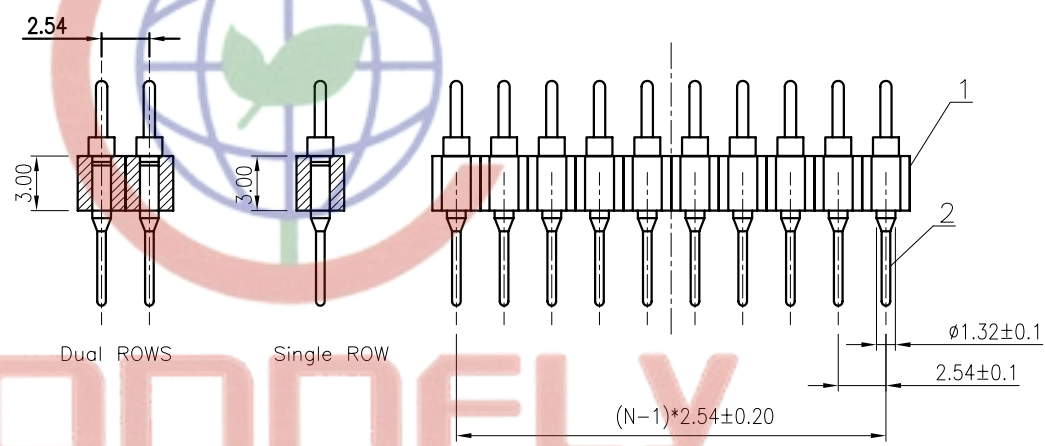
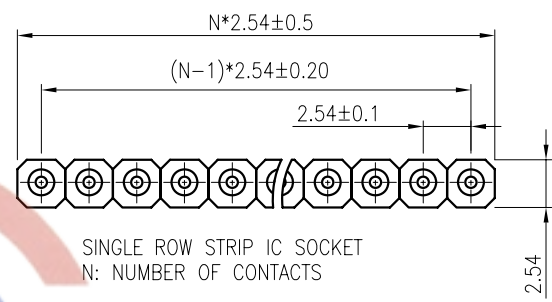
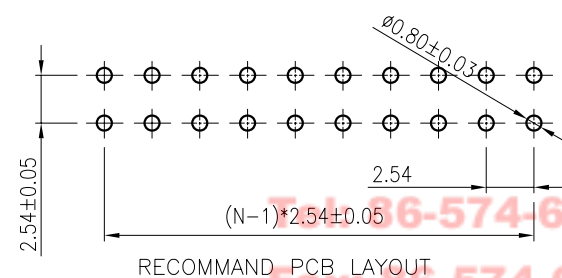
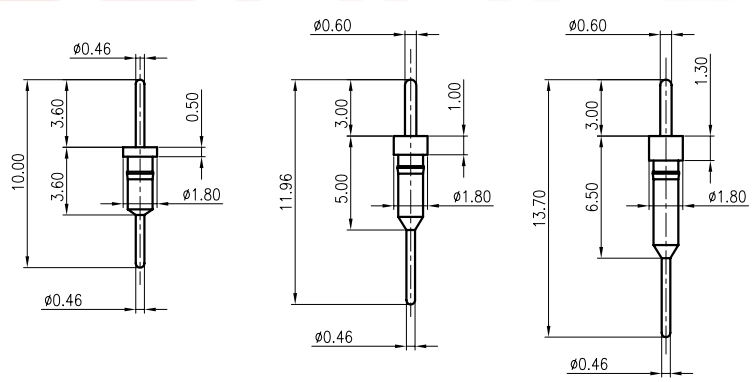


REV.	DESCRIPTION	DRAWN	CHECKED	APPROVED
A	NEW RELEASE	LJH 03/30/06'		



- NOTES:
- ELECTRICAL CHARACTERISTICS:
    - CONTACT RESISTANCE: 20mΩ Max. INITIAL.
    - DIELECTRIC WITHSTANDING VOLTAGE: 500V AC(rms) FOR 1 MINUTE.
    - INSULATION RESISTANCE: 1000MΩ Min.
  - ENVIRONMENT CHARACTERISTICS:
    - OPERATING TEMPERATURE: 0°C~+85°C.
    - STORAGE TEMPERATURE: -20°C~+70°C.
  - PART NUMBER: DS1004
  - PRODUCT NUMBER CODE:  
DS1004 - X X X  
 CONTACT TYPE  
 1: TYPE 1  
 2: TYPE 2  
 3: TYPE 3  
 CONTACT PLATING  
 F1: Full GOLD FLASH  
 No.OF CONTACTS  
 1\*1 - 1\*40  
 2\*1 - 2\*40  
 SERIES No.  
 DS1004



TYPE 1 TYPE 2 TYPE 3  
TYPE1/2/3 DIA.(TOLERANCE=±0.05)

GENERAL TOLERANCE		ANGLE TOLERANCE		PROJECTION		TITLE
X.	±0.60	X.	±5°	UNITS	mm	DIP STRIP ADAPTER PITCH 2.54mm
.X	±0.38	.X	±3°	SHEET SIZE	A4	SERIES DS1004 SERIES
.XX	±0.25	.XX	±2°			

2	CONTACT		COPPER ALLOY	GOLD FLASH	DRAWING TYPE	CUSTOMER
1	HOUSING		THERMOPLASTIC	UL 94 V-0	SCALE	1:1 SHEET 10F1
ITEM	PART NAME	PART NO.	MATERILAS	FINISHED	DRAWING NO.	C-DS1004-XXX

晨翔电子有限公司  
CONNFLY CONNFLY ELECTRONIC CO. LTD

Tel: 86-574-63508787  
Fax: 86-574-63510817

REV.	DESCRIPTION	DRAWN	CHECKED	APPROVED
A	NEW RELEASE	LJH 03/30/06'		

NOTES:

- ELECTRICAL CHARACTERISTICS:
  - CONTACT RESISTANCE: 20mΩ Max. INITIAL.
  - DIELECTRIC WITHSTANDING VOLTAGE: 500V AC(rms) FOR 1 MINUTE.
  - INSULATION RESISTANCE: 1000MΩ Min.
- ENVIRONMENT CHARACTERISTICS:
  - OPERATING TEMPERATURE: 0°C~+85°C.
  - STORAGE TEMPERATURE: -20°C~+70°C.

- PART NUMBER: DS1004
- PRODUCT NUMBER CODE:

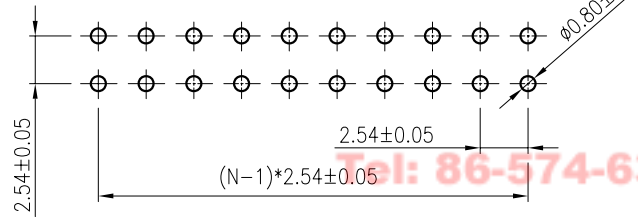
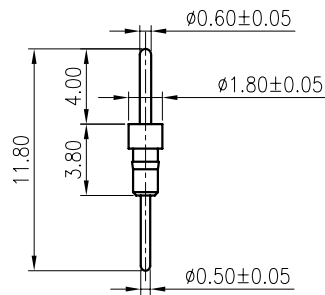
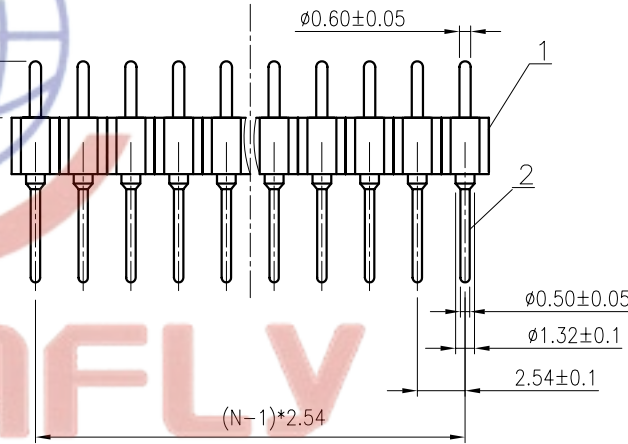
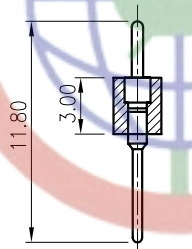
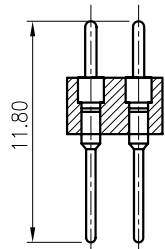
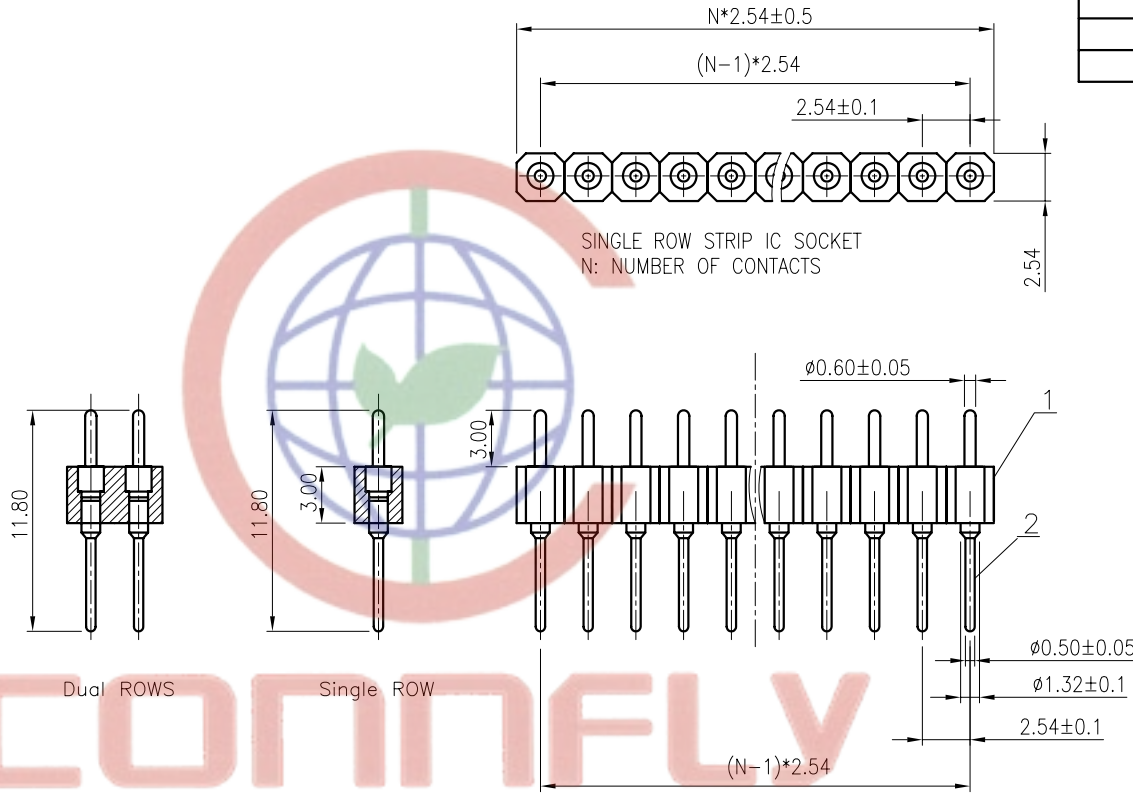
DS1004 - X X X

CONTACT TYPE  
4: TYPE 4

PIN PLATING  
F1: Full Gold flash

No. OF CONTACTS  
1\*1 - 1\*40  
2\*1 - 2\*40

SERIES No.  
DS1004



Tel: 86-574-63508787  
Fax: 86-574-63510817

GENERAL TOLERANCE

X.	±0.60
.X	±0.38
.XX	±0.25

ANGLE TOLERANCE

X.	±5°
.X	±3°
.XX	±2°

PROJECTION



TITLE

DIP STRIP ADAPTER PITCH 2.54mm

UNITS

mm

SHEET SIZE

A4

SERIES

DS1004 SERIES

2	CONTACT		COPPER ALLOY	GOLD FLASH	DRAWING TYPE	CUSTOMER
1	HOUSING		THERMOPLASTIC	UL 94 V-0	SCALE	1:1 SHEET 10F1
ITEM	PART NAME	PART NO.	MATERILAS	FINISHED	DRAWING NO.	C-DS1004-XX4



晨翔电子有限公司

CONNFLY CONNFLY ELECTRONIC CO. LTD